

Kol. Opis

1 ALPHA2 32-60 180



Paznja! Slika proizvoda se može razlikovati od stvarnog proizvoda

Proizvodni broj: [99411221](#)

High efficiency canned-rotor circulator, designed for circulating liquids in domestic heating systems. With a world-class energy efficiency index (EEI) well below the ErP benchmark it ensures substantial energy savings.

Features

- AUTOADAPT which provides the ultimate comfort levels with the lowest possible energy consumption and makes the commissioning safe and easy
 - Night-setback function which saves energy
 - Manual Summer mode saves energy during summertime and ensure safe start in the heating season
 - Intuitive one-button operation makes selection of any control mode simple
 - No external motor protection required reducing installation time
 - High-torque start improves startup under harsh conditions
 - Maintenance free due to canned-rotor design and use of robust components
 - ALPHA plug makes electrical installation quick and easy
 - Insulating shells are supplied with pumps to minimize heat loss in heating systems
- Hydronic balancing by temporary use of the ALPHA Reader and the Grundfos GO Balance App enables the installer to perform fast and easy hydronic balancing

When using the ALPHA2 with two other components the ALPHA Reader and the Grundfos GO Balance app, it enables the installers to perform fast and easy hydronic balancing - without compromising on reliability, efficiency and easy installation.

The AUTOADAPT function continuously adjusts the pump performance to the actual heat demand, i.e. the size of the system and the changing heat demand during the year. The function will find the setting that provides optimal comfort with minimal energy consumption. It contributes to fast, safe and easy commissioning.

In addition, the pump also features three control modes - each with three settings

- proportional-pressure control
- constant-pressure control
- constant-curve mode

The display shows the actual power consumption in Watts or actual flow in m³/h as well as alarms and warnings. LEDs indicate the actual operating status.

The night-setback function, when enabled automatically reduces the motor speed to save energy. The changeover depends on a change in the flow-pipe temperature.

Manual summer mode; once enabled, the pump is automatically started frequently at low speed to avoid blocking the rotor. At the same time, it saves energy.

Kol. Opis

The pump is of the canned-rotor type, which means that the pump and motor form an integral unit. The bearings are lubricated by the pumped liquid ensuring maintenance-free operation. The pump features dry-running protection.

The pump has a ceramic shaft and radial bearings, carbon thrust bearing, stainless-steel rotor can, bearing plate and rotor cladding, composite impeller, all of which contribute to long life.

The pump is self-venting through the system, which contributes to easy commissioning. The compact design featuring pump head with integrated control box and control panel fits into most common installations.

The pump housing is made of cast iron and electrocoated to improve the corrosion resistance.

The motor is a synchronous permanent-magnet/compact-stator motor characterized by high efficiency. The pump speed is controlled by an integrated frequency converter incorporated in the control box.

Te nost:

Dizana te nost: voda
Raspon temperature te nosti: 275 .. 383 K
Selected liquid temperature: 333 K
Gustina: 983.2 kg/m³

Tehni ki:

TF klasa: 110
Saglasnosti na natpisnoj plo ici: VDE,CE,EAC

Materijali:

Ku ište pumpe: Liveno gvož e
EN-GJL-150
ASTM A48-150B
Rotor: PES 30%GF

Ugradnja:

Opseg temperature okruženja: 273 .. 313 K
Maksimalni radni pritisak: 1000 kPa
Spajanje pumpe: G 2
Nazivni pritisak: PN 10
Dužina ugra ivanja: 180 mm

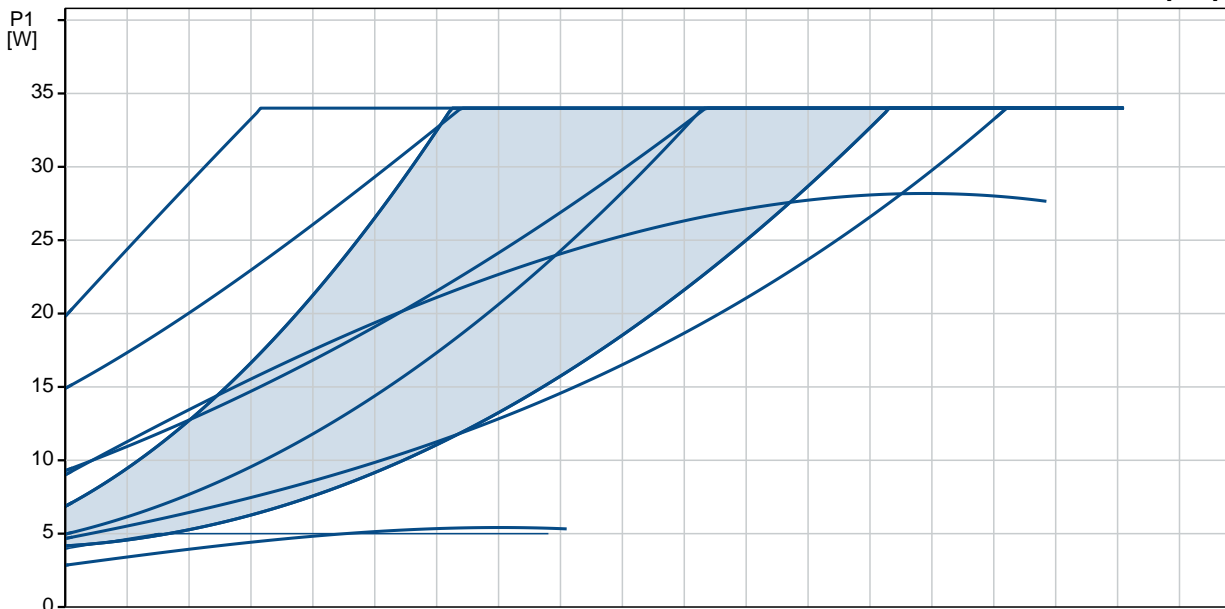
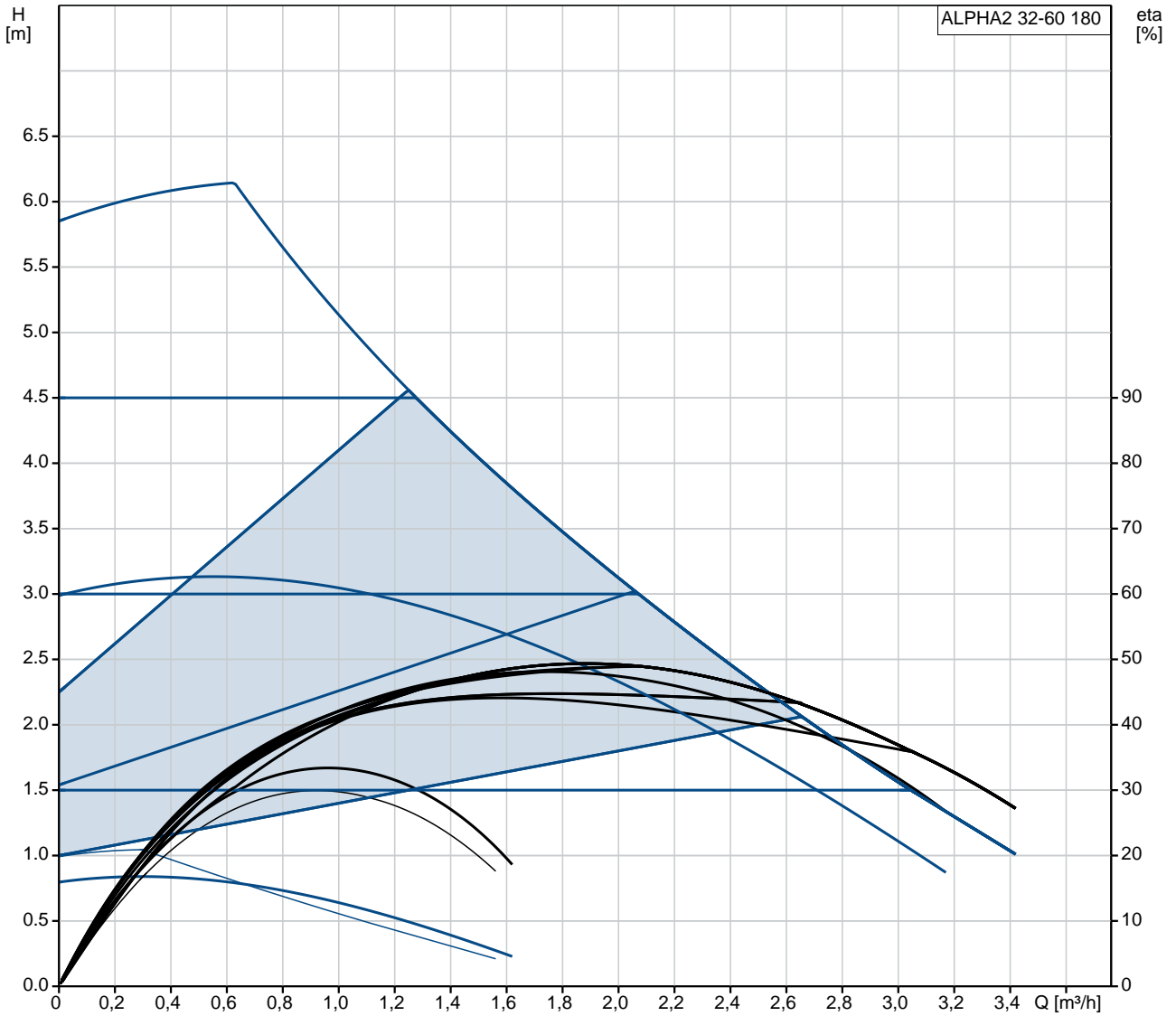
Elektri ni podaci:

Potrebna snaga - P1: 3 .. 34 W
Frekvencija struje: 50 / 60 Hz
Potrebni napon: 1 x 230 V
Maksimalna strujna potrošnja: 0.04 .. 0.32 A
Klasa zaštite (IEC 34-5): X4D
Klasa izolacije (IEC 85): F

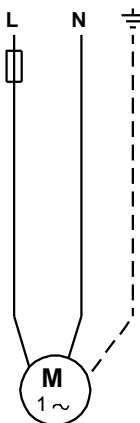
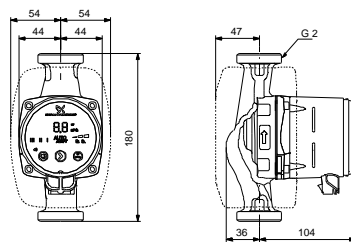
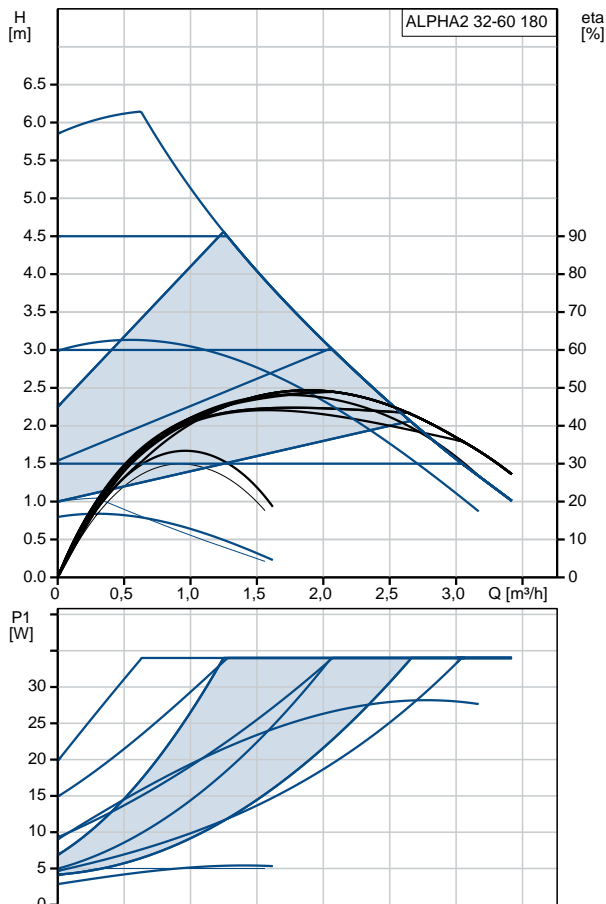
Ostali:

Energy (EEI): 0.17
Neto masa: 2.14 kg
Bruto masa: 2.3 kg
Transportna zapremina: 0.004 m³
Danish VVS No.: 380473360
Swedish RSK No.: 5758783
Finnish LVI No.: 4615343
Country of origin: DK
Custom tariff no.: 84137030

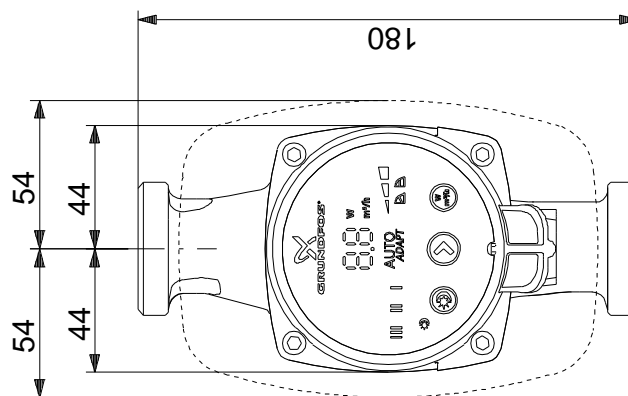
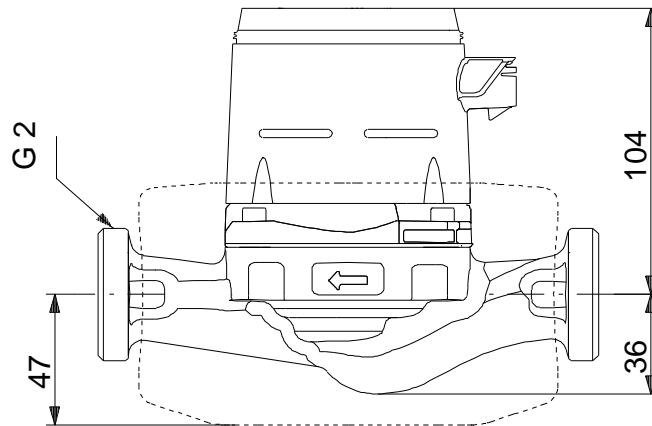
99411221 ALPHA2 32-60 180



Opis	Vrednost
Opšte informacije:	
Ime proizvoda::	ALPHA2 32-60 180
Šifra proizvoda:	99411221
EAN broj::	5713828675972
	5713828675972
Cena:	283,09 €
Tehni ki:	
Visina max.:	6 m
TF klasa:	110
Saglasnosti na natpisnoj plo ici:	VDE,CE,EAC
Model:	E
Materijali:	
Ku ište pumpe:	Liveño gvož e EN-GJL-150 ASTM A48-150B
Rotor:	PES 30%GF
Ugradnja:	
Opseg temperature okruženja:	273 .. 313 K
Maksimalni radni pritisak:	1000 kPa
Spajanje pumpe:	G 2
Nazivni pritisak:	PN 10
Dužina ugra ivanja:	180 mm
Te nost:	
Dizana te nost:	voda
Raspon temperature te nosti:	275 .. 383 K
Selected liquid temperature:	333 K
Gustina:	983.2 kg/m ³
Elektri ni podaci:	
Potrebna snaga - P1:	3 .. 34 W
Frekvencija struje:	50 / 60 Hz
Potrebni napon:	1 x 230 V
Maksimalna strujna potrošnja:	0.04 .. 0.32 A
Klasa zaštite (IEC 34-5):	X4D
Klasa izolacije (IEC 85):	F
Zaštita motora:	BEZ ZAŠTITE
Termi ka zaštita:	ELEC
Kontrole:	
Aut. no :	automtski redukovan no ni rad uklju en
Položaj priklj. kutije:	6H
Ostali:	
Energy (EEI):	0.17
Neto masa:	2.14 kg
Bruto masa:	2.3 kg
Transportna zapremina:	0.004 m ³
Danish VVS No.:	380473360
Swedish RSK No.:	5758783
Finnish LVI No.:	4615343
Country of origin:	DK
Custom tariff no.:	84137030

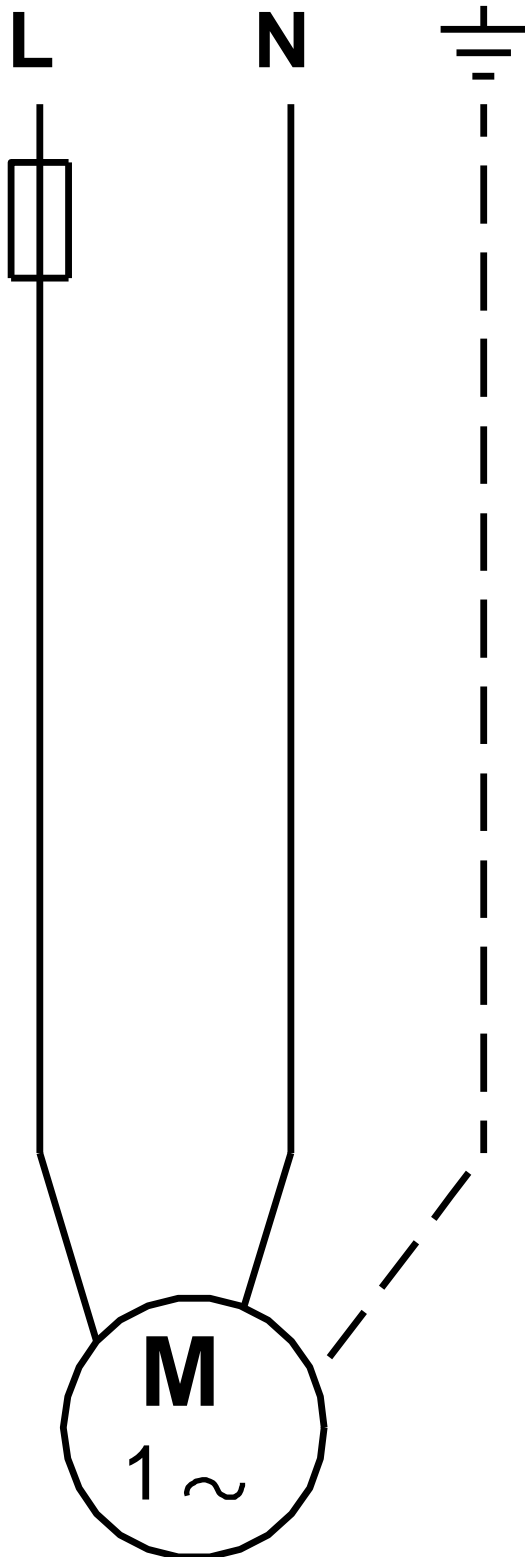


99411221 ALPHA2 32-60 180



Napomena! Sve jedinice su u [mm]ukoliko druga nije navedeno.
Upozorenje: Ovaj pojednostavljeni dimenzioni crtež ne pokazuje sve detalje.

99411221 ALPHA2 32-60 180



Pažnja! Sve jedinice su u [mm] ukoliko nije re eno druga ije.